



Titan Industries, Inc.

Innovative Technologies, Global Solutions



Titan Atlas™ 717
Specs/Data Sheets

22335 Gosling Road • Spring, TX

Tel #: 1800-365-2162 • Fax #: 281-353-6800

www.titan-solutions.com • sales@titan-solutions.com

Titan Atlas™ 717 Pump Performance Data Sheet

Construction:

- **Body:** 304 Stainless Steel
- **Shaft:** Hardened 17-4 PH Stainless Steel
- **Housing:** 304 Stainless Steel
- **Bearings:** Carbon Graphite
- **Mag Drive w/neodymium inner and outer magnets rated for 9 ft.lbs of torque**
- **Gears/Shafts:** 17-PH Stainless Steel (Heat treated to HH1150)
- **O-Rings:** Viton Seals
- **3/4" FNPT**
- * Body and Gears Available in 316 (Lead time and Cost may vary)

Drive Requirements:

- **Speed, rated:** 1750 rpm
- **Pump Speed, minimum (rpm):** 1425 rpm
- **Pump Speed, maximum (rpm):** 1800 rpm
- **Motor requires 56c mounting face**

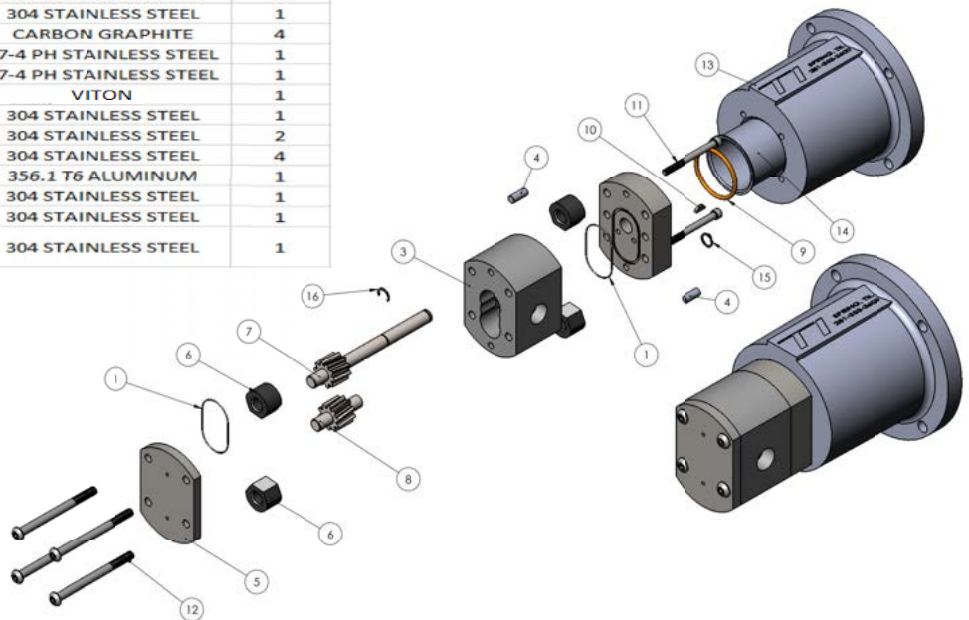
Operational Data:

- **Rated Discharge Pressure:** 0-200 psi
- **Maximum Allowable Unsustained Working Pressure:** 600 psi
- **Flooded Suction required**
- **Mag Drive Decouple Pressure:** 600 psi
- **Nominal Flow:** 7 gpm

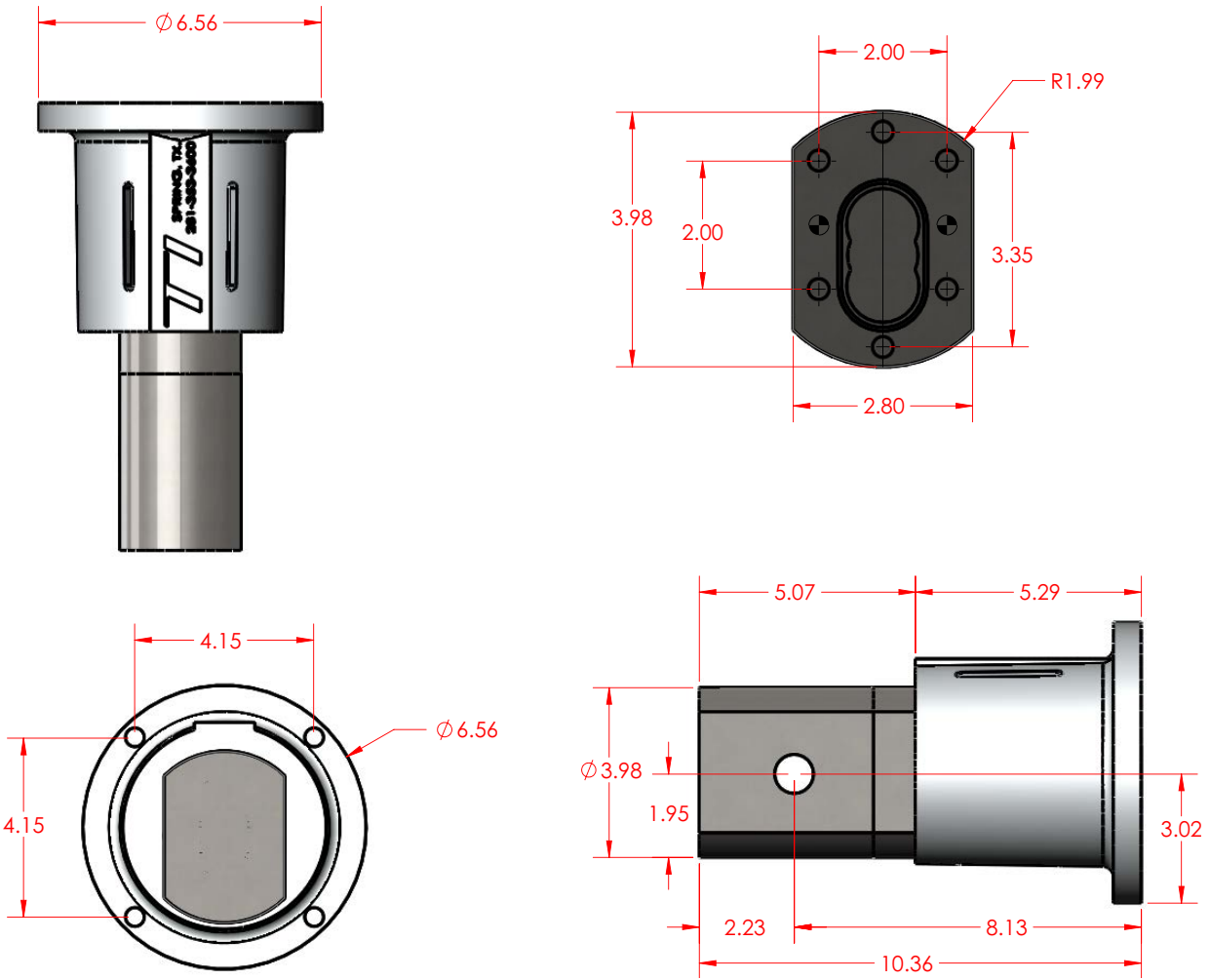
Features:

- Heavy duty stainless steel gear pumps for optimum chemical capability
- Back pull-out design for easy maintenance without disturbing piping
- One-piece "D" style bushings eliminate the need for wearplates and provide positive alignment and gear support
- Capable of operating at nominal speeds
- No integral relief valve available, external relief recommended

ITEM NO.	PART	DESCRIPTION	QTY.
1	ADAPTER PLATE O-RING	VITON	2
2	ATLAS ADAPTER PLATE	304 STAINLESS STEEL	1
3	ATLAS 7GPM GEAR HOUSING	304 STAINLESS STEEL	1
4	ATLAS PUMP ALIGNMENT PIN	304 STAINLESS STEEL	2
5	ATLAS PUMP CAP	304 STAINLESS STEEL	1
6	ATLAS PUMP BUSHING	CARBON GRAPHITE	4
7	ATLAS 7GPM LONG GEAR	17-4 PH STAINLESS STEEL	1
8	ATLAS 7GPM SHORT GEAR	17-4 PH STAINLESS STEEL	1
9	BARRIER CUP O-RING	VITON	1
10	WOODRUFF KEY	304 STAINLESS STEEL	1
11	ATLAS 7PGM RETAINING BOLTS	304 STAINLESS STEEL	2
12	ATLAS 7GPM MOUNTING BOLTS	304 STAINLESS STEEL	4
13	PUMP BRACKET	356.1 T6 ALUMINUM	1
14	PUMP BARRIER CUP	304 STAINLESS STEEL	1
15	RETAINING RING	304 STAINLESS STEEL	1
16	LOW CLEARANCE RETAINING RING	304 STAINLESS STEEL	1



Titan Atlas™ 717 Pump Dimensions



PROPRIETARY AND CONFIDENTIAL
 THE INFORMATION CONTAINED IN THIS DRAWING IS THE SOLE PROPERTY OF <INSERT COMPANY NAME HERE>. ANY REPRODUCTION IN PART OR AS A WHOLE WITHOUT THE WRITTEN PERMISSION OF <INSERT COMPANY NAME HERE> IS PROHIBITED.

			UNLESS OTHERWISE SPECIFIED:		NAME	DATE
			DIMENSIONS ARE IN INCHES			
			TOLERANCES:			
			FRACTIONAL ±			
			ANGULAR: MACH ± BEND ±			
			TWO PLACE DECIMAL ±			
			THREE PLACE DECIMAL ±			
			INTERPRET GEOMETRIC TOLERANCING PER:			
			MATERIAL			
			FINISH			
	NEXT ASSY	USED ON				
	APPLICATION		DO NOT SCALE DRAWING			

Titan Industries, Inc.
Innovative Technologies, Global Solutions

TITLE:

SIZE DWG. NO. REV

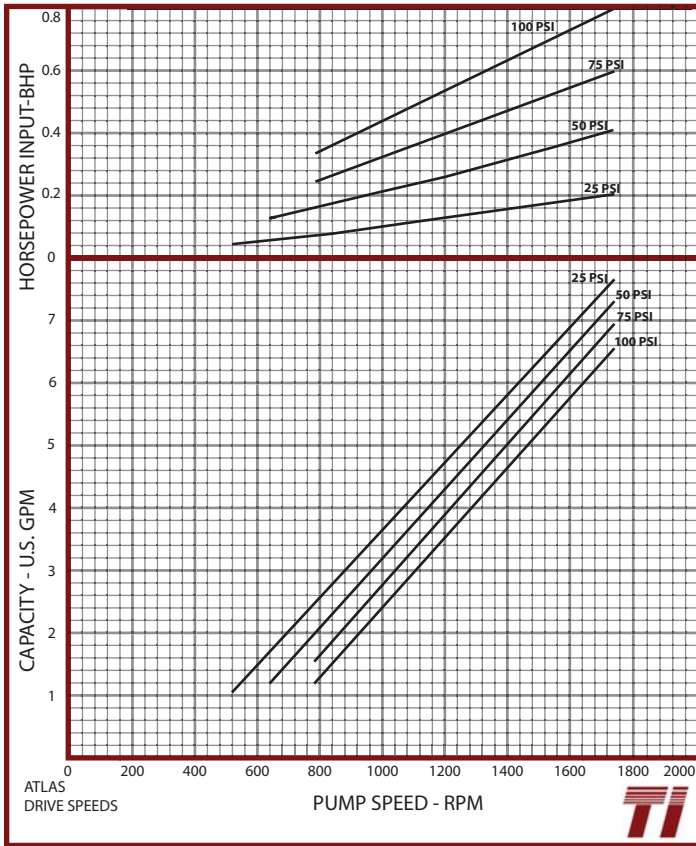
SCALE: WEIGHT: SHEET 1 OF 1

Titan Industries, Inc.
TITAN ATLAS 717 PUMP CURVES

RECOMMENDATIONS
 CARBON GRAPHITE
 BUSHINGS

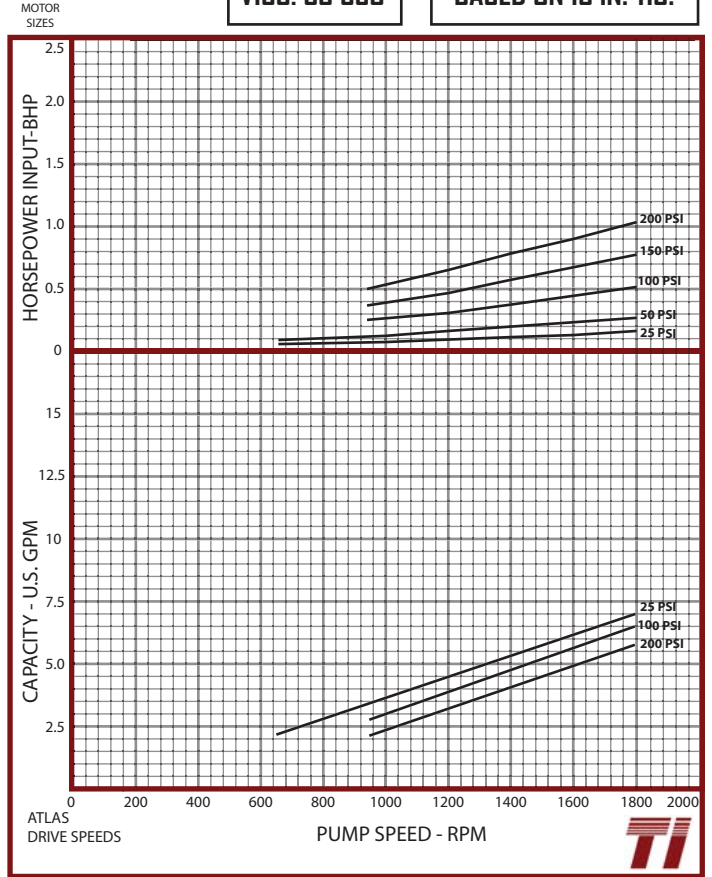
VISC: 28 SSU

BASED ON 10 IN.-HG.



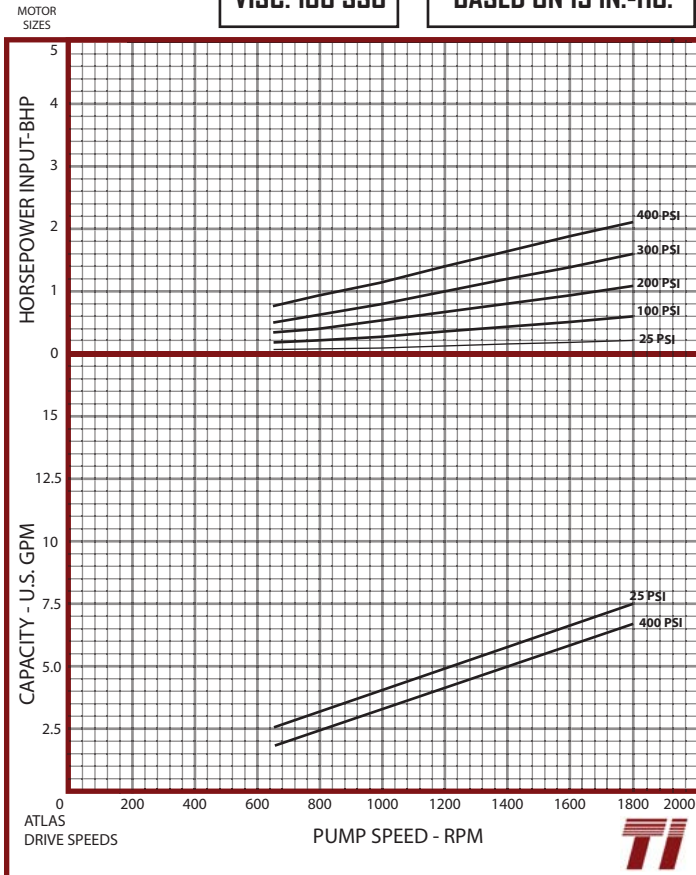
VISC: 38 SSU

BASED ON 10 IN.-HG.



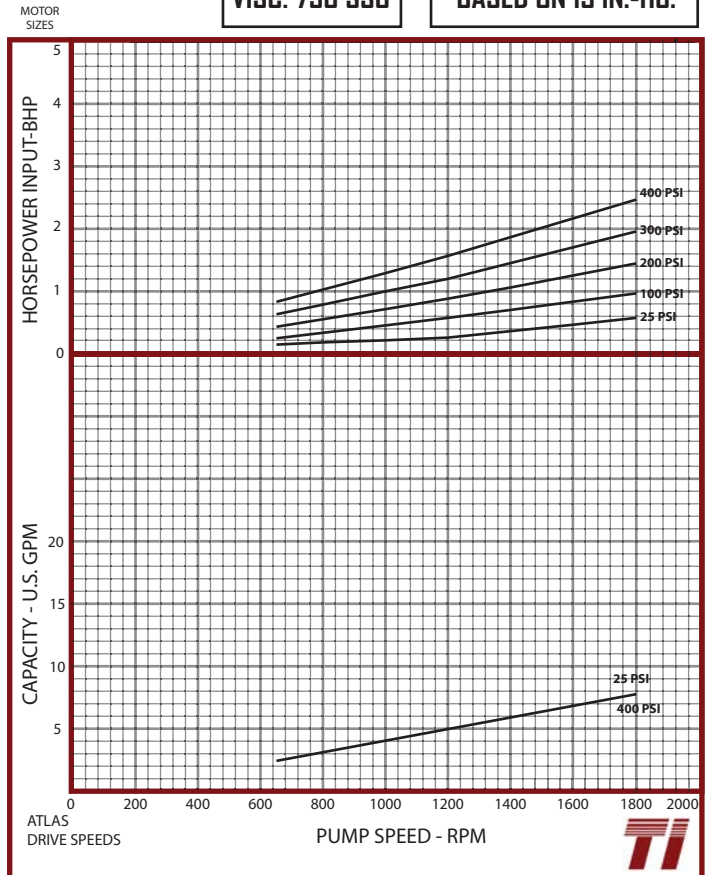
VISC: 100 SSU

BASED ON 15 IN.-HG.



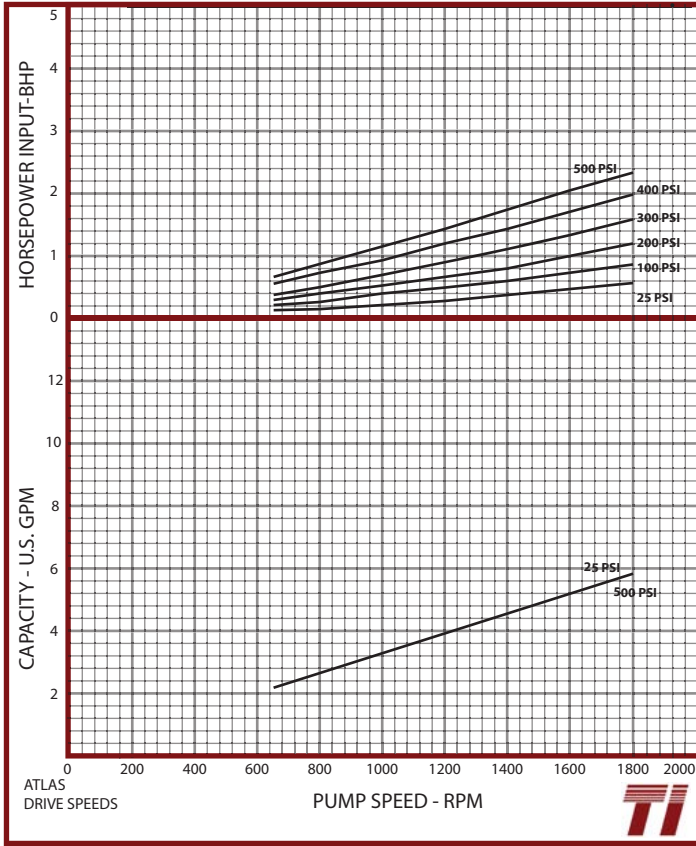
VISC: 750 SSU

BASED ON 15 IN.-HG.

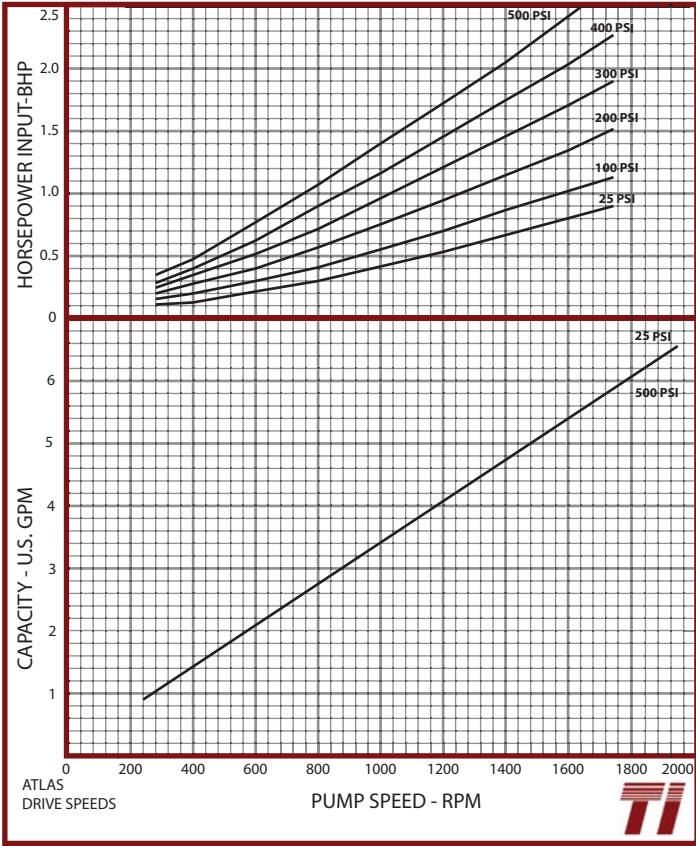


Titan Industries, Inc.
TITAN ATLAS 717 PUMP CURVES

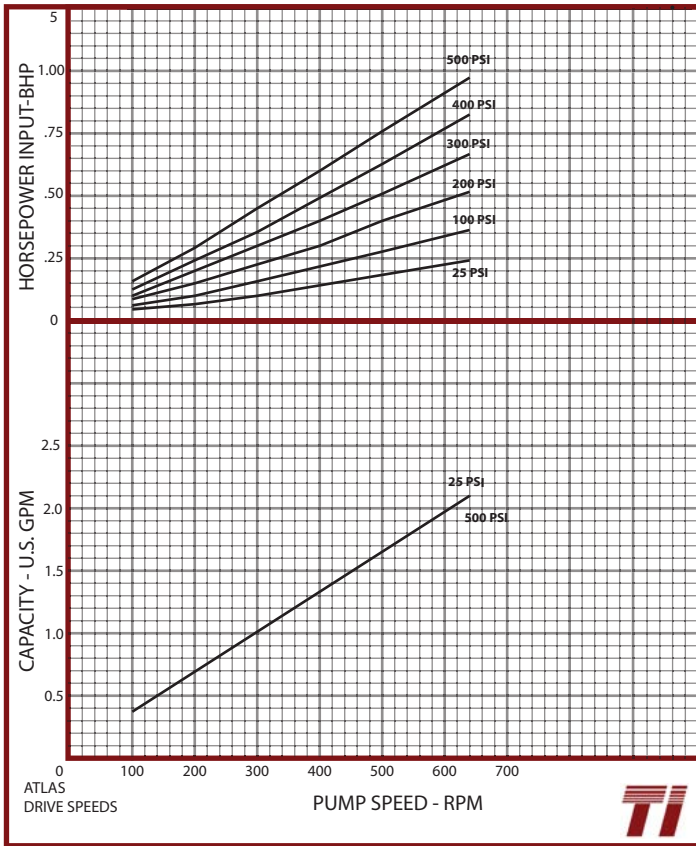
VISC: 2500 SSU **BASED ON 15 IN.-HG.**



VISC: 7500 SSU **BASED ON 15 IN.-HG.**



VISC: 25,000 SSU **BASED ON 15 IN.-HG.**



Titan Industries, Inc.

Innovative Technologies, Global Solutions

22335 Gosling Road
 Spring, TX 77389
 Tel #: (281)-353-3600
 Fax #: (281)-353-6800
www.titan-solutions.com